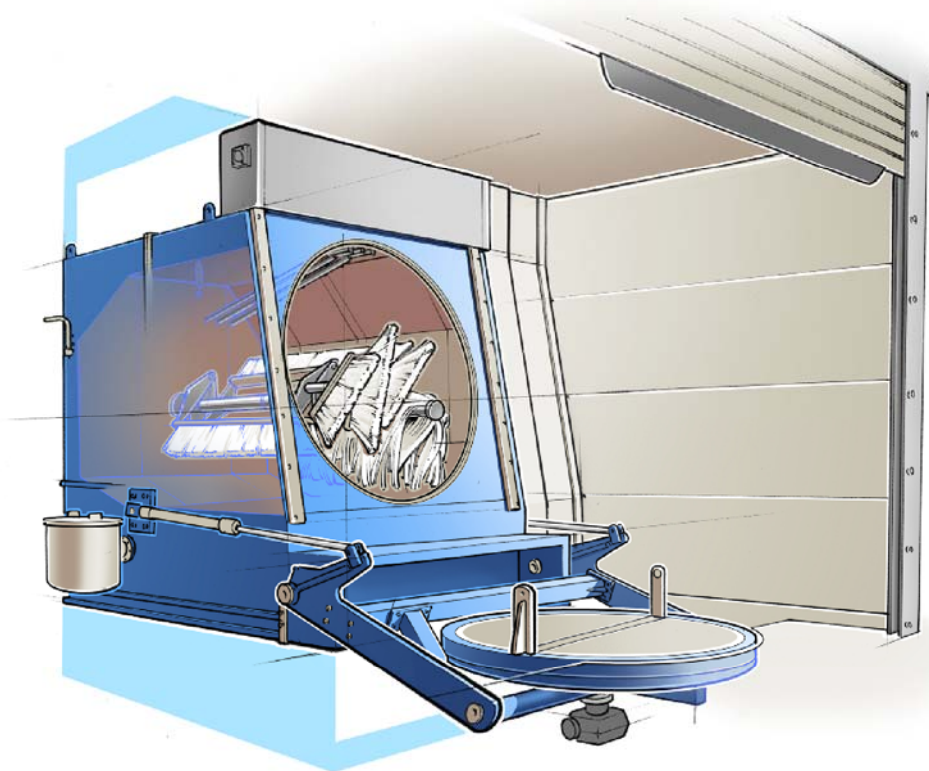




Washing machine Type RIO-F

cleans the inside of containers by means of a brush and simultaneous rinsing with washing agent. The rotating brush is equipped with arms that open by centrifugal force and thereby adapt to the size of the container, ensuring an effective cleaning of the inside surfaces. With nitrogen inerting and other safety-related details, the machine meets ATEX requirements when it is used with solvent.



Items to be washed



cleaning process



cleaning agents

